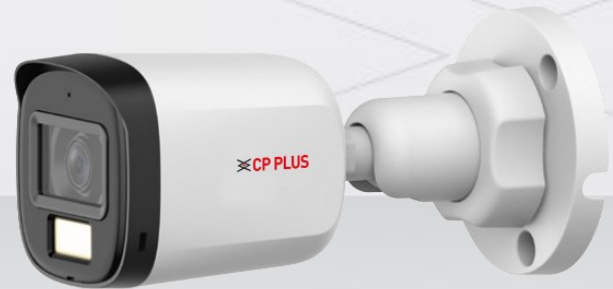


CP-URC-TC24PL3C-L

2.4MP Dual Light Bullet Camera - 30Mtr.

- 1/3.2" 2.4 MP PS CMOS Image Sensor (0.7937 centimetres)
- DWDR, Day/Night (ICR), 2D DNR, BLC, HLC
- 3.6 mm fixed lens (2.8 mm, 6 mm optional)
- IR Range of 30 Mtrs., Warm Light Range of 20 Mtr., Smart IR, IP67
- Support Built-in Mic



System Overview

Delivering full-color video in complete darkness, the **Illumax range** of advanced Dual IR Cameras is the ideal solution for upgrading your security system. Enabling you with enhanced control, Illumax supports multiple night vision modes as well as numerous formats.

Functions

Smart Dual IR (warm light and IR)

Smart Dual IR combines infrared and warm light for superior night vision, ensuring clear images in complete darkness and providing enhanced visibility in low-light conditions.



CP-URC-TC24PL3C-L

2.4MP Dual Light Bullet Camera - 30Mtr.

Functions

True Day/Night (ICR)

When the scene is too dark, the image is captured by illuminating an infrared light through the camera onto the scene that greatly helps with making the scene visible for the lens. It delivers color images during the day and automatically switches to the monochrome feature as the scene darkens.

Active Deterrence

Active deterrence includes turning on warm LED lights towards intruders in real-time, enhancing security by preventing potential threats before they escalate.

*Deterrence will only work with SMD supported DVRs.

Long Distance Transmission

Long-distance transmission capability allows video signals to be transmitted over extended distances without quality loss, ensuring reliable and clear footage from remote locations.

All-in-1 HD Camera (HDCVI, HDTVI, AHD, CBVS)

This feature supports multiple video formats—HDCVI, HDTVI, AHD, and CBVS—making the camera versatile and compatible with various DVRs for seamless integration.

Built-in Mic

The built-in microphone captures high-quality audio, adding an extra layer of security by recording sound along with video, which is essential for comprehensive surveillance.

About CP PLUS

The brand that is on its way to lead the world when it comes to the security and surveillance industry, CP PLUS, keeps bombarding the market with the most reliable range of products that have been designed carefully and methodically to automate the whole surveillance and security process, no matter how big your premises are.

It was the initiative to help the public in the area where they are the most vulnerable and to empower the sense of safety in our hearts that had conceptualized CP PLUS. And embarking on its mission to make the world a safer and more secure place has taken the brand's journey to unprecedented levels even when compared to international competitors.



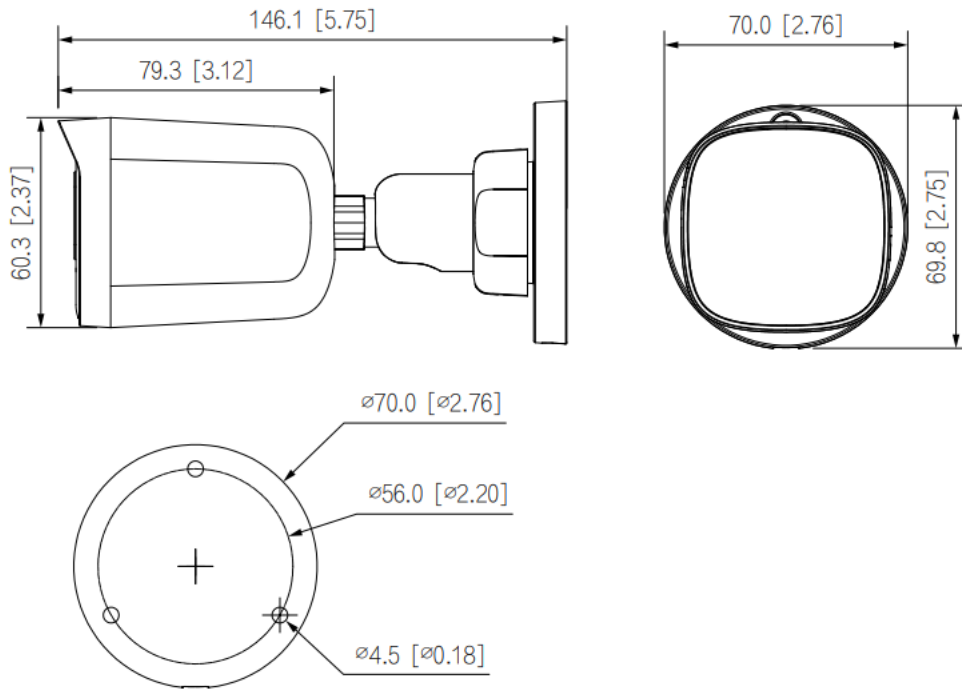
CP-URC-TC24PL3C-L

2.4MP Dual Light Bullet Camera - 30Mtr.

Feature	Specification
Image Sensor	1/3.2" 2.4 MP PS CMOS Image Sensor (0.7937 centimetres)
Minimum Illumination	0.02 lux F2.0 (Color, 30 IRE), 0.002 lux F2.0 (B/W, 30 IRE), 0 lux (IR on)
Max. Resolution	1920 (H) × 1080 (V)
Angle Adjustment	Pan: 0°–360° Tilt: 0°–78° Rotation: 0°–360°
Shutter Speed	PAL: 1/25 s–1/100,000 s NTSC: 1/30 s–1/100,000 s
White Balance	Auto, Area white balance
Lens Mount	M12
Close Focus Distance	3.6 mm: 0.8 Mtr., 2.8 mm: 0.5 Mtr., 6 mm: 2.4 Mtr.
Gain Control (AGC)	Auto/Manual
Max. Aperture	F2.0
Lens Type	Fixed- Focal
Lens	3.6 mm fixed lens (2.8 mm, 6 mm optional)
Angle of View	3.6 mm: H: 80°; V: 43°; D: 94° 2.8 mm: H: 100°; V: 54°; D: 117° 6 mm: H: 43°; V: 24°; D: 50
DORI Distance	3.6 mm: Detect: 55.0Mtr., Observe: 22.0Mtr., Recognize: 11.0 Mtr., Identify : 5.5 Mtr. 2.8 mm: Detect: 44.7Mtr., Observe: 17.9 Mtr., Recognize: 8.9 Mtr., Identify: 4.5 Mtr. 6 mm : Detect: 102.9 Mtr. Observe: 41.1 Mtr. Recognize: 20.6 Mtr. Identify: 10.3 Mtr
Back Light Compensation	BLC/HLC/DWDR
S/N Ratio	>65dB
Video Output	Video output choices of CVI/TVI/AHD/CVBS by one BNC port
Resolution	2.4MP(1928×1088), 960H (960 × 576/960 × 480)
Video Streaming	CVI: PAL: 2.4MP@25 fps NTSC: 2.4MP@30 fps , AHD: PAL: 2.4MP@25 fps NTSC: 2.4MP@30 fps , TVI: PAL: 2.4MP@25 fps NTSC: 2.4MP@30 fps , CVBS: PAL: 960H NTSC: 960H

Feature	Specification
Noise Reduction	2D DNR
Privacy Masking	Off/On (8 areas, rectangle)
Audio	Built-in Mic
Day/Night	Auto(ICR)/Color/B/W
IR	IR Range of 30 Mtr.
Warm Light	Warm Light Range of 20 Mtr.
Dual LED Number	2 (Warm light) + 2 (IR light)
IR Control	Auto, Manual
Iris Control	Fixed
IR Mode	Smart IR&WL, WL Mode, IR Mode
Anti-corrosion Level	Basic Protection
Mirror Function	Support
Weatherproof Standard	IP67
Operating Temperature	-40 °C to +60 °C (-40 °F to +140 °F)
Operating Humidity	<95% (RH), non-condensing
Power Source	12 VDC ± 30%
Power Consumption	Max 3.3 W (12 VDC, LED on)
Casing	Plastic
Dimension	146.1 mm × 70.0 mm × 69.8 mm
Weight	0.15kg

Dimensions (mm/inch)



Company Name:

CP PLUS (Aditya Infotech Ltd.)

F-28 Okhla Industrial Area, Phase 1,

New Delhi 110020, INDIA

Contact Mail ID :- customercare@cpplusworld.com